

66 FRAME PMDC/BLDC GEAR MOTOR



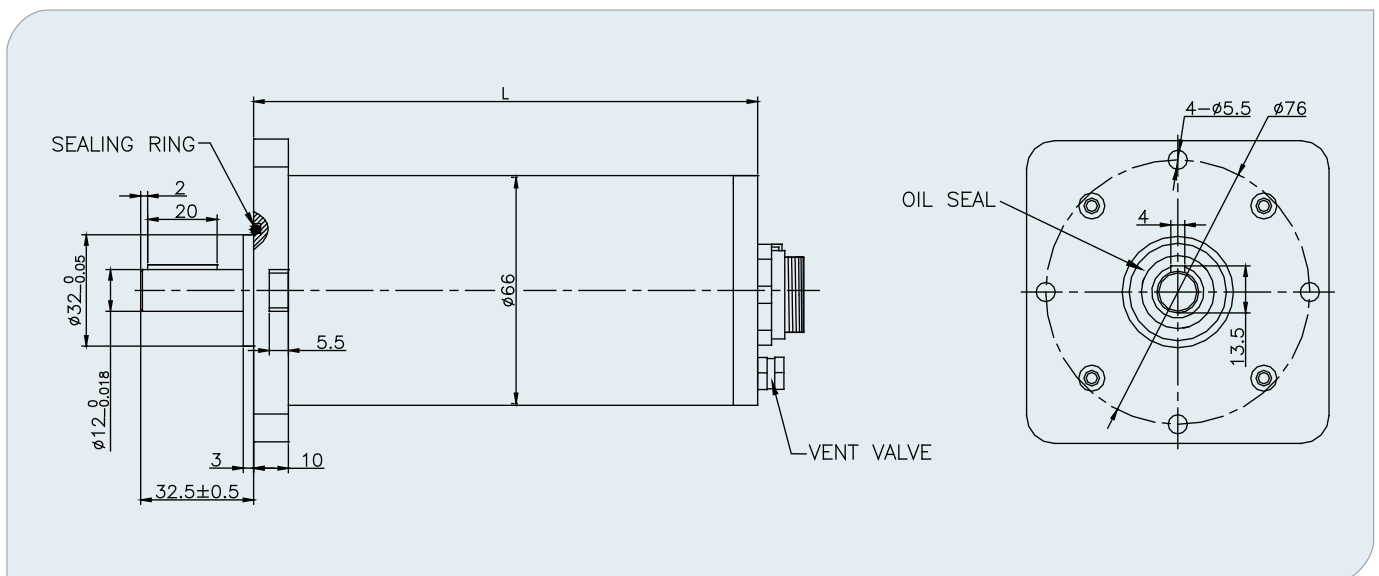
● General information

- ▶ Encoder available : 2 PPR or 4 PPR.
- ▶ Epoxy coating on the surface.
- ▶ Protection class IP 65.
- ▶ Operating temperature $-40^{\circ}\text{C} \sim +80^{\circ}\text{C}$.
- ▶ With protective vent valve to reduce condensation.

● Specification

Model	Voltage (v)	No Load		Rated Load		Torque (N.m)	Ratio	Stage	Power (W)	Length (mm)
		Current (A)	Speed (rpm)	Current (A)	Speed (rpm)					
MB/ME057FG100-PL0018	24	0.75	201	4.03	167	2.9	18			
MB/ME057FG100-PL0029	24	0.75	125	4.03	103	4.7	29	2	51	185
MB/ME057FG100-PL0036	24	0.75	100	4.03	83	5.8	36			
MB/ME057FG100-PL0079	24	0.83	46	4.03	38	11.5	79			
MB/ME057FG100-PL0150	24	0.83	24	4.03	20	21.9	150	3	46	185
MB/ME057FG100-PL0236	24	0.83	15	4.03	13	34.5	236			
MB/ME057FG100-PL0408	24	0.93	9	4.03	7	53	408			
MB/ME057FG100-PL0531	24	0.93	7	4.03	6	69	531	4	41	198
MB/ME057FG100-PL0837	24	0.93	4	4.03	4	108.8	837			

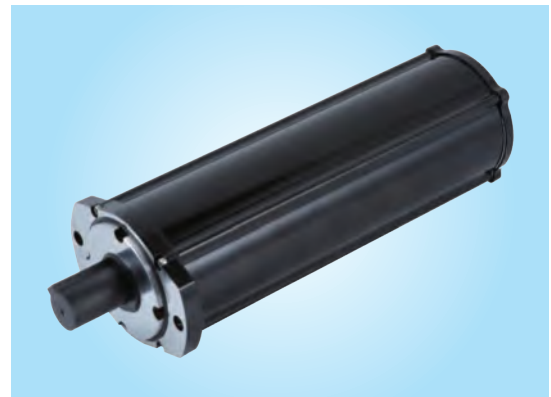
● Mechanical



82 FRAME PMDC/BLDC GEAR MOTOR

● General information

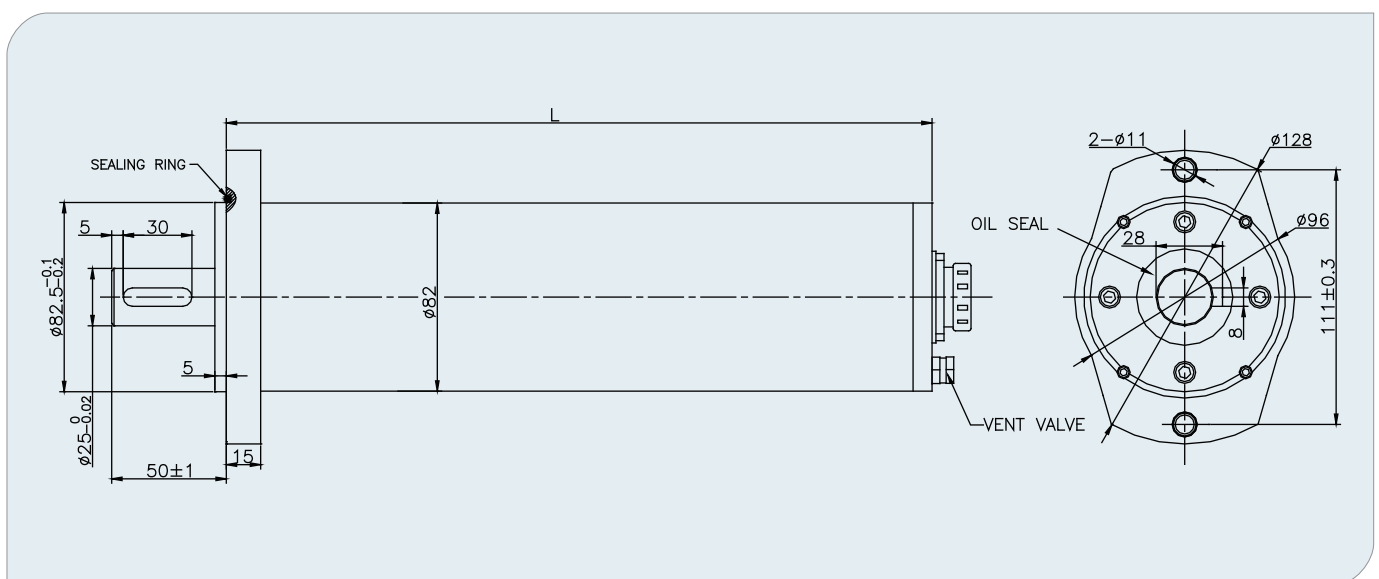
- ▶ Encoder available : 2 PPR or 4 PPR.
- ▶ Epoxy coating on the surface.
- ▶ Protection class IP 65.
- ▶ Operating temperature -40℃ ~ +80℃.
- ▶ With protective vent valve to reduce condensation.



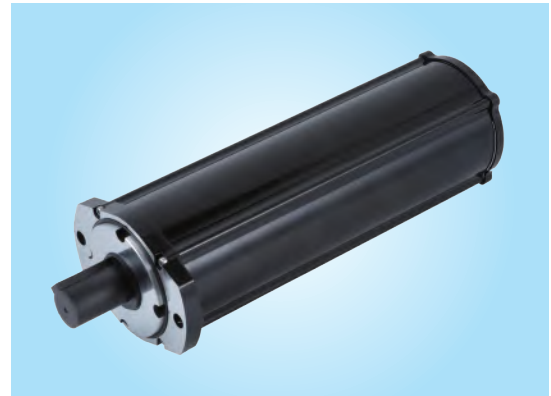
● Specification

Model	Voltage (v)	No Load		Rated Load		Torque (N.m)	Ratio	Stage	Power (W)	Length (mm)
		Current (A)	Speed (rpm)	Current (A)	Speed (rpm)					
MB/ME076FG100-PL0018	24	1.39	201	7.48	167	5.8	18	2	102	215
MB/ME076FG100-PL0029	24	1.39	125	7.48	103	9.4	29			
MB/ME076FG100-PL0035	24	1.39	103	7.48	86	11.3	35			
MB/ME076FG100-PL0079	24	1.54	46	7.48	38	23.1	79	3	92	230
MB/ME076FG100-PL0150	24	1.54	24	7.48	20	43.8	150			
MB/ME076FG100-PL0236	24	1.54	15	7.48	13	68.9	236			
MB/ME076FG100-PL0531	24	1.73	7	7.48	6	138.1	531	4	82	260
MB/ME076FG100-PL0836	24	1.73	4	7.48	4	217.4	836			

● Mechanical



94 FRAME PMD/BLDC GEAR MOTOR



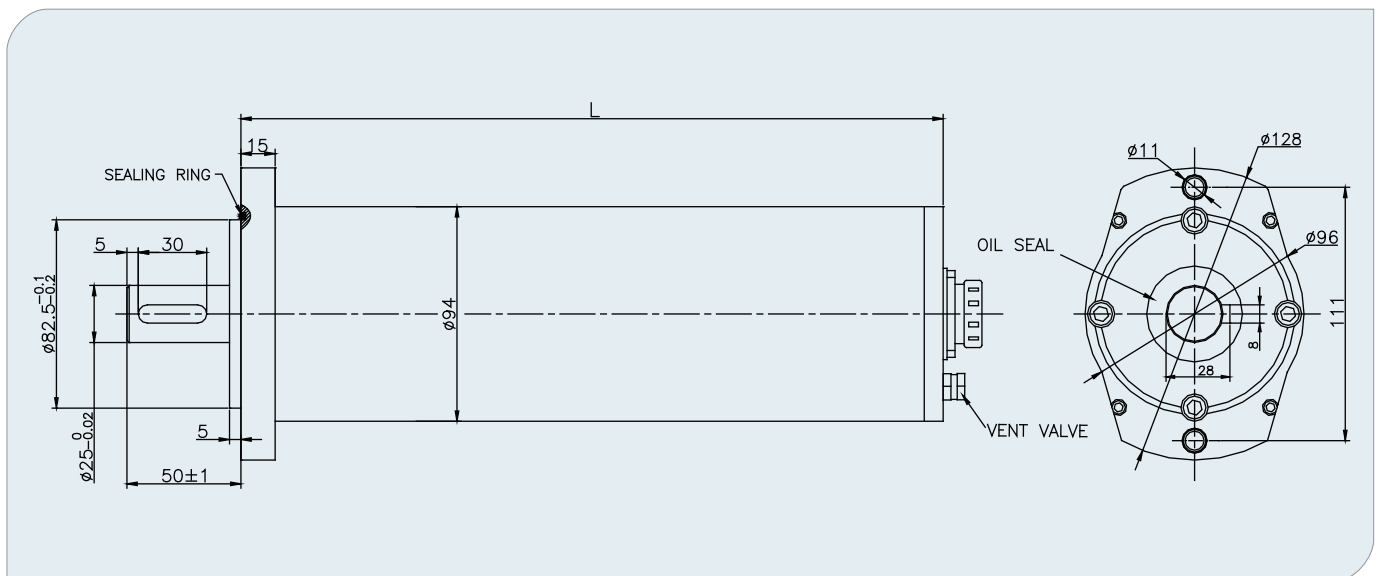
● General information

- ▶ Encoder Available : 2 PPR or 4 PPR.
- ▶ Epoxy coating on the surface.
- ▶ Protection class IP 65.
- ▶ Operating Temperature -40 °C ~ +80 °C.
- ▶ UL Certified.
- ▶ With protective vent valve to reduce condensation.

● Specification

Model	Voltage (v)	No Load		Rated Load		Torque (N.m)	Ratio	Stage	Power (W)	Length (mm)
		Current (A)	Speed (rpm)	Current (A)	Speed (rpm)					
MB/ME076ZT101-PL0745	24	1	2	6.25	1.3	320	745	4	43	308
MB/ME076ZT102-PL0745	24	1	2.3	7	1.7	320	745	4	57	308
MB/ME076ZT104-PL0745	24	1	3	7	2.2	500	745	4	115	308
MB/ME076ZT103-PL2023	24	1	0.84	6	0.6	550	2023.5	5	34	330

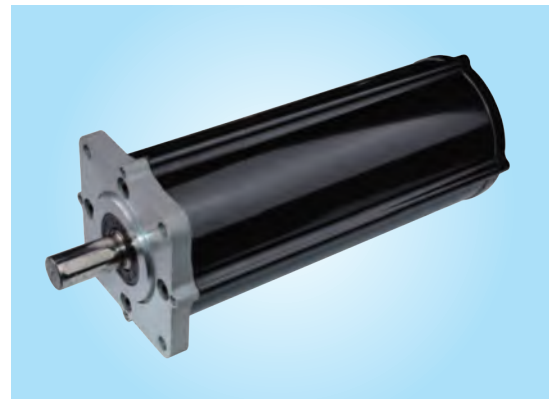
● Mechanical



128 FRAME PMD/BLDC GEAR MOTOR

● General information

- ▶ Encoder available : 2 PPR or 4 PPR.
- ▶ Epoxy coating on the surface.
- ▶ Protection class IP 65.
- ▶ Operating temperature -40℃ ~ +80℃.
- ▶ With protective vent valve to reduce condensation.



● Specification

Model	Voltage (v)	No Load		Rated Load		Torque (N.m)	Ratio	Stage	Power (W)	Length (mm)
		Current (A)	Speed (rpm)	Current (A)	Speed (rpm)					
MB/ME120FG100-PL0023	24	5.39	105	21.82	87	37.3	23			
MB/ME120FG100-PL0036	24	5.39	67	21.82	56	58.3	36	2	339	310
MB/ME120FG100-PL0049	24	5.39	49	21.82	41	79.4	49			
MB/ME120FG100-PL0141	24	5.98	17	21.82	14	205.9	141			
MB/ME120FG100-PL0216	24	5.98	11	21.82	9	315.4	216	3	306	330
MB/ME120FG100-PL0398	24	5.98	6	21.82	5	581.1	398			
MB/ME120FG100-PL0845	24	6.71	3	21.82	2	1098.5	845	4	272	355
MB/ME120FG100-PL1557	24	6.71	2	21.82	1	2024.1	1557			

● Mechanical

